

CERTIFICATION



HACCP International



ISO9001

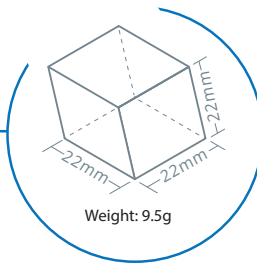
ICE MATE

by  HOSHIZAKI

SRM-650AB-B-801SA

ICE MAKER

DICE



ICEMATE is committed to bringing high-efficiency / energy-saving, and high quality ice-making product to people who have dreams and desire to create their own business with the best scientific technology and manufacturing technology.

KEY FEATURES

SAFETY AND HYGIENE ASSURED ICE MACHINE

AUTO-CLEANING



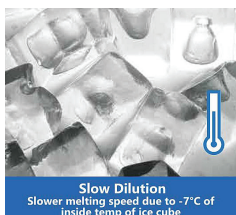
Timely maintenance of water system can extend life of equipment.

PURE ICE



Overflow self-cleaning function, ensuring ice hygiene

IoT



Slow melt Dilution

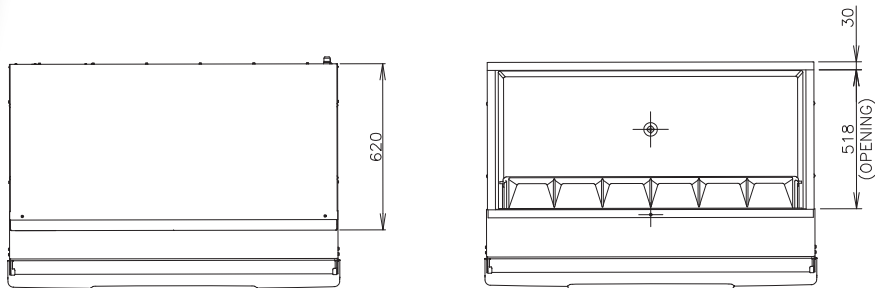


Powerful Ice Making



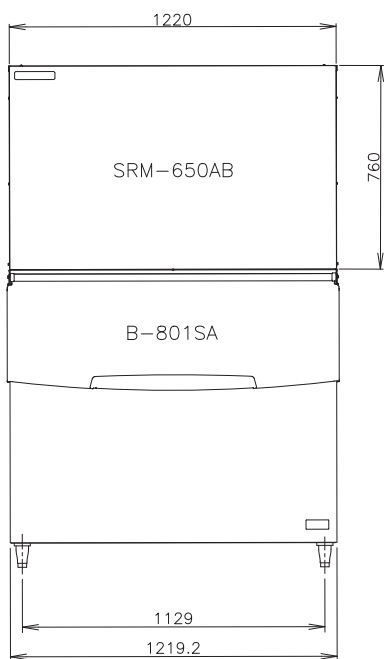
Energy & Water Saving, Quiet Operation

BIN TOP VIEW

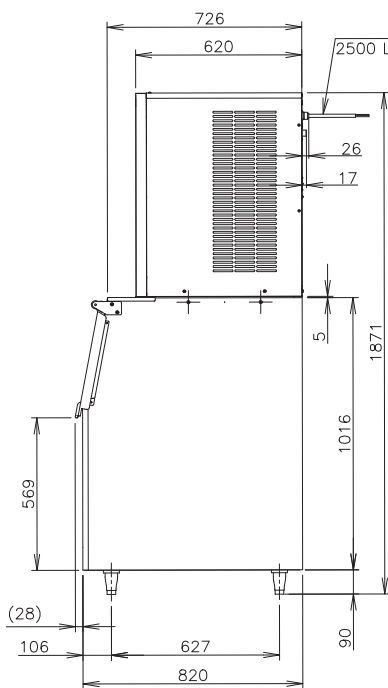


BIN TOP VIEW

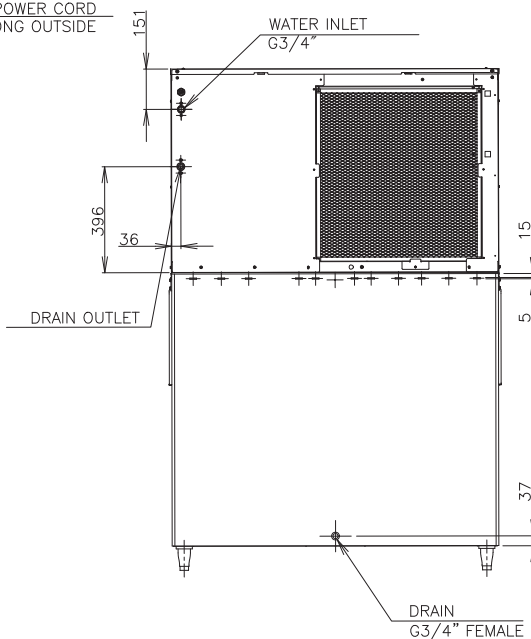
FRONT SIDE



RIGHT SIDE



BACK SIDE



SPECIFICATIONS

Ice Dimensions	Dice: 22mm*22mm*22mm		Ice water consumption per 24H (AT32°C/WT21°C)	490L(1.0L/kg ice)
Outside Dimensions	1220mm(W) x 820mm(D) x 1871(~1901)mm(H)		Ice Production Freeze Cycle Time (AT21°C/WT15°C)	Approx:13min
Package Dimensions	Ice Maker: Pallet + Carton:1325mm(W)x 720mm(D)x 945mm(H) Storage Bin:Pallet + Carton:1239mm(W)x 916mm(D)x 1142mm(H)		Ice Production per Cycle (AT21°C/WT15°C)	Approx:5.55kg/612pcs
Weight (Net / Gross)	Ice Maker:	118kg/142kg		
	Storage Bin:	64kg/86kg		
Amperage/Starting Amperage	11.3A/85A			
Electrical Consumption	(AT32°C / WT21°C)	2296W		
Refrigerant Charge	R404A/1200g			
Ice Storage Capacity	Maximum: 348kg			
Ice Production per 24H	(AT10°C / WT10°C)	Approx:723kg		
	(AT21°C / WT15°C)	Approx:622kg		
	(AT32°C / WT21°C)	Approx:483kg		
OPERATING CONDITIONS				
Voltage Range			198-242V	
Ambient Temperature			5-38°C	
Water Supply Temperature			5-32°C	
Water Supply Pressure			0.07-0.55MPa(0.7-5.5bar)	
Supply Voltage			1 Phase 220V 50Hz	

